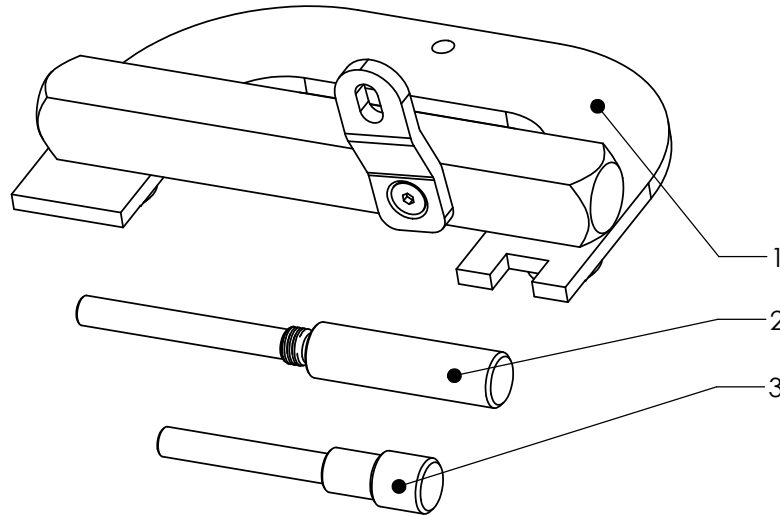


Rev.	Description	Signature	Date



6				
5				
4				
3	BY-0008	Locking pin	1	
2	BY-0007	Locking pin	1	
1	BY-0000	Wheel locker	1	
Pos	Part No.	Denomination	Qty	Note

Projection Method			Signature	Date					
			Appv'd						
General Tolerance	0~3	+/-0.1	Chk'd		2007-9-25	Material		Scale	1:2
	>3~6	+/-0.1	Drawn	Patrick.ZOU	2007-9-25	Size	A4	Edition	01
SS-ISO2768- mk	>6~30	+/-0.2	Name	Wheel locker	Dwg No:	BY-0100			
	>30~120	+/-0.3							