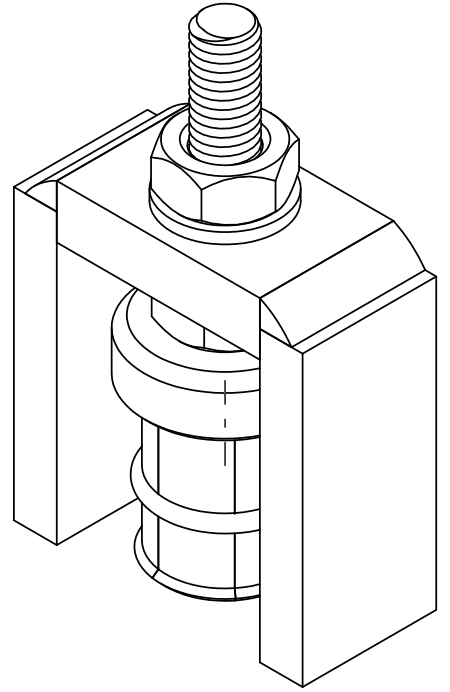
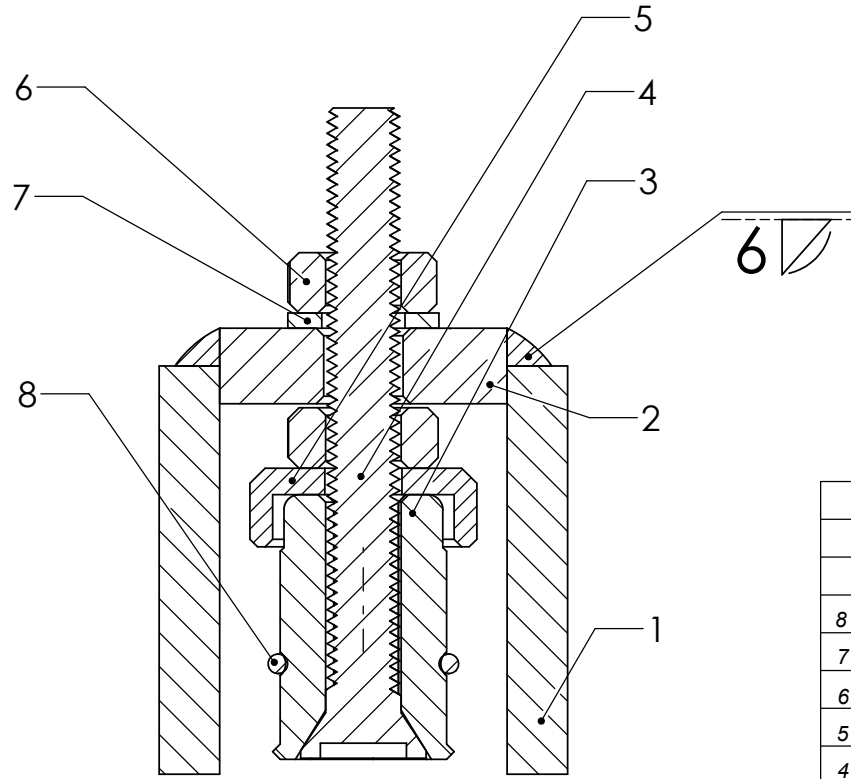
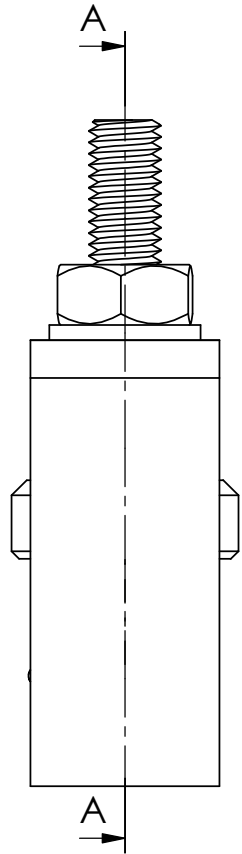


Rev.	Description	Signature	Date



SECTION A-A
Scale 1 : 1

No:	Item	Quantity	Material	Name	Comments
8	P-0184-1008	1		o-ring	Ø 20XØ 2.6
7	P-0184-1007	1	C 45K	U-Washer Ø 10	DIN 125-A-10.5 verz
6	P-0184-1006	2	C 45K	SK-Nut M10	DIN 934-M10 Black
5	P-0184-1005	1	C 45K	Bushing	
4	P-0184-1004	1	16MnCr5	Spindle	
3	P-0184-1003	6	51CrV4	Gripping jaw	
2	P-0184-1002	1	C 45K	Plate with Hole	Zinc Plating
1	P-0184-1001	2	C 45K	Plate	Zinc Plating

	Signature	Date	WEIFA INT.LTD			
Appv'd						
Chk'd			Part No:	Scale	1:1	
Drawn	Patrick.Zou	2006-4-18	Size	A4	Edition	00
Name	Abzieher Ø 22		Dwg No:	P-0184-10		